



High console table with drawers Leggio 100 cm

30 690 грн

- Characterised by minimalist details and impeccable finishes, it is ideal for business centre lobbies, hotels and private apartments.
- It has craftsmanship features that are important for interiors with a hügge philosophy.
- Individual wood tinting or painting according to RAL and NCS palette in the shade/colour you need is possible.
- Designed and manufactured in Ukraine, with love!

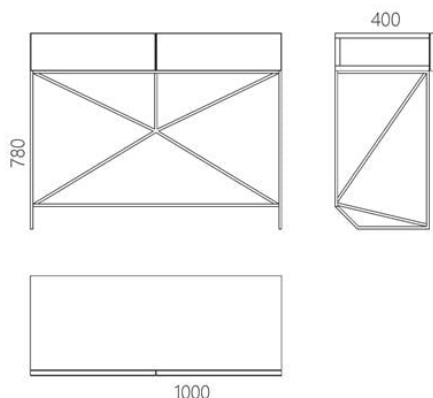
Leggio is a series of wall-mounted console tables with a laconic appearance. It is inspired by the Italian music stand table of the same name. Its image is based on two components: a wooden body and a stable metal pedestal. The console table is equipped with two Hettich smooth-opening full-length drawers with a maximum load capacity of 20kg. Leggio has artisanal woodworking features important for interiors with a hügge philosophy. And also the energetic shape of the pedestal, which gives dynamism to an object that you will interact with on a daily basis.

Designer: Sergei Lvov
Year of creation: 2015

Height: 780 mm
Width: 1000 mm
Depth: 400 mm

Materials and instructions

Frame: 10 mm steel rod, powder coating, floor protection pads, brass hallmark of authenticity. Base: solid ash wood 20 mm (oak available on request) Coatings and finishes: OSMO hardwax-oil (Germany); KEMICHAL polyurethane enamel for wood (Italy). Surface: silky matt. Drawers: Hettich (Germany).



Консоль LDZ-018

Package information

Reliable cardboard packaging. Package quantity:
1 piece. 1030x430x810 mm. Weight: 31 kg.
Requires assembling.

