

Oval ash coffee table Canotier

483 usd

- We use traditional carpentry skills, with artistic selection of wood grain and seamless gluing of lamellas on microship.
- Individual wood tinting or painting according to RAL and NCS palette in the shade/colour you need is possible.
- Designed and manufactured in Ukraine, with love!

The flowing shape of the table top makes the Canotier table look light and elegant. It combines modern elements with a classic image. The natural wood evokes a feeling of calm creation, comfort and warmth. While the metal intricately woven metal base is perceived as an original detail associated with a new school of shaping. Canotier is inspired by the French rowers' hat with its rigid shape and narrow brim. This lively association, enhances the romantic image of the piece.

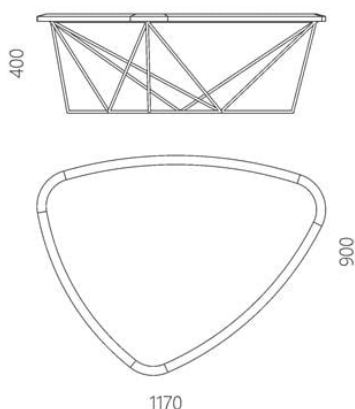
Designer: Sergei Lvov

Year of creation: 2016

Height: 400 mm

Depth: 900 mm

Width: 1170 mm



Журнальный стол LDZ-014

Materials and instructions

Frame: 10 mm steel rod, powder coating, floor protection pads, brass hallmark of authenticity. Tabletop: solid ash wood 40 mm (oak available on request). Coatings and finishes: OSMO hardwax-oil (Germany); KEMICAL polyurethane enamel for wood (Italy). Surface: silky matt.

Package information

Reliable cardboard packaging. Package quantity: 1 piece. 1210x940x440 mm. Weight: 27 kg. The product is assembled.

